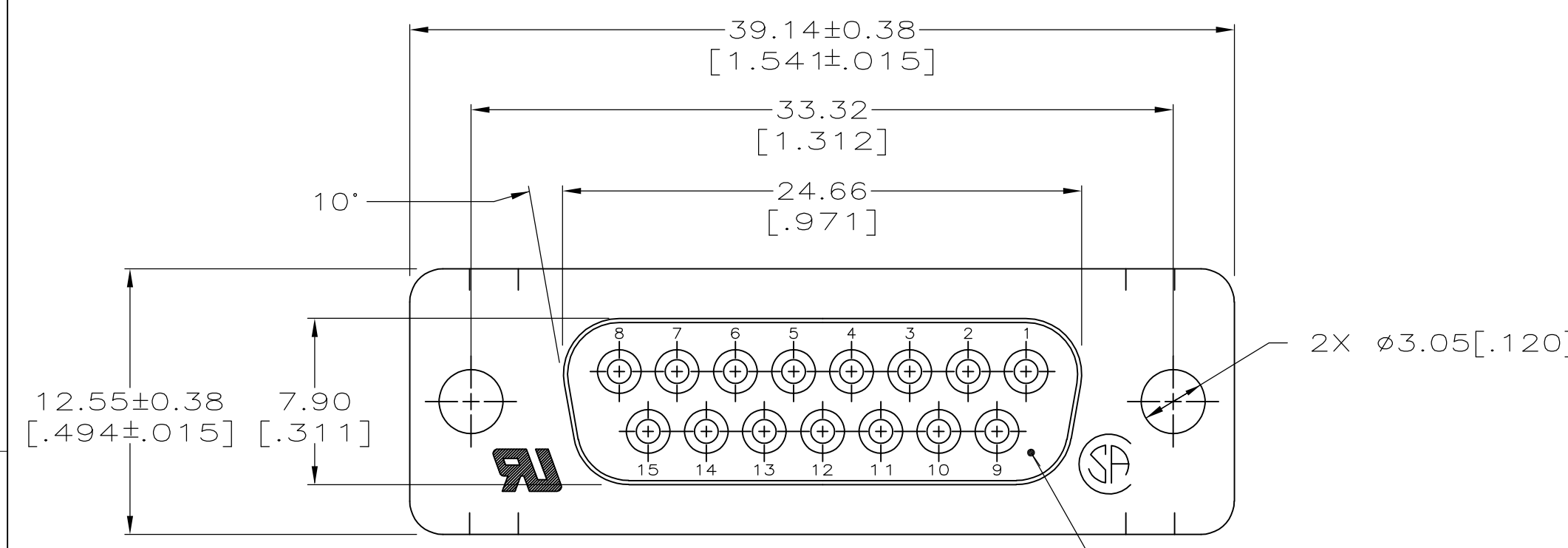
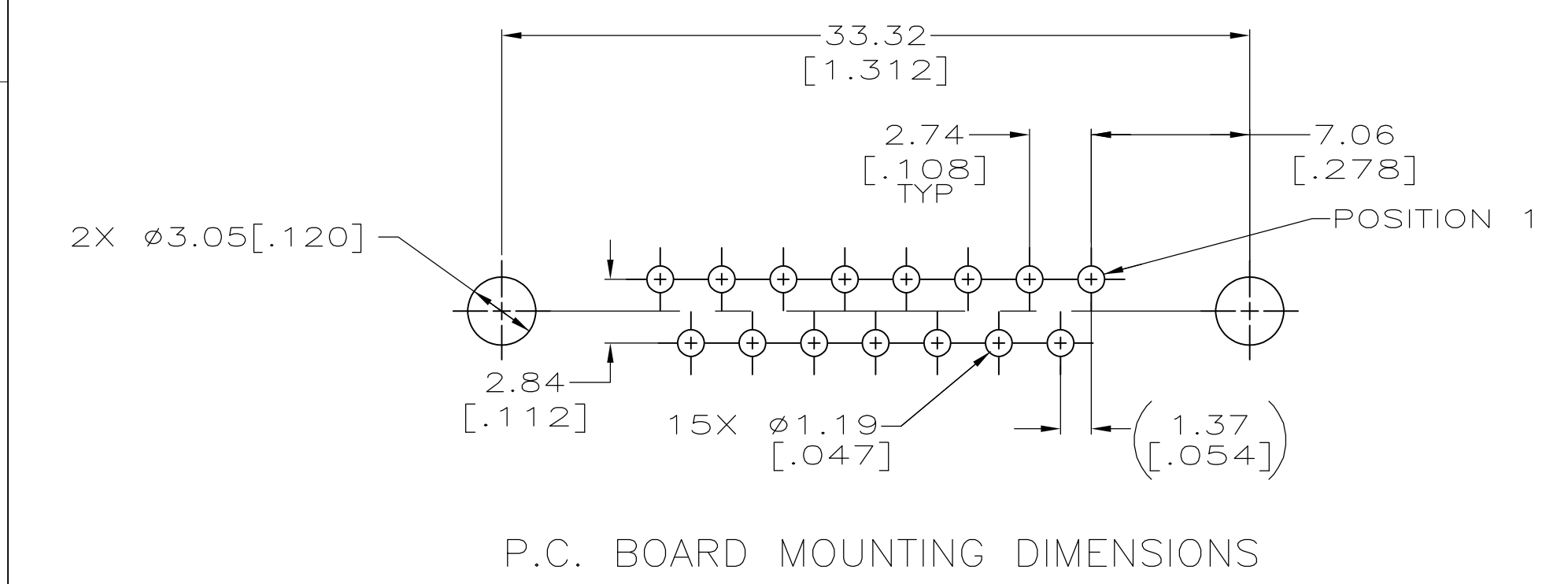
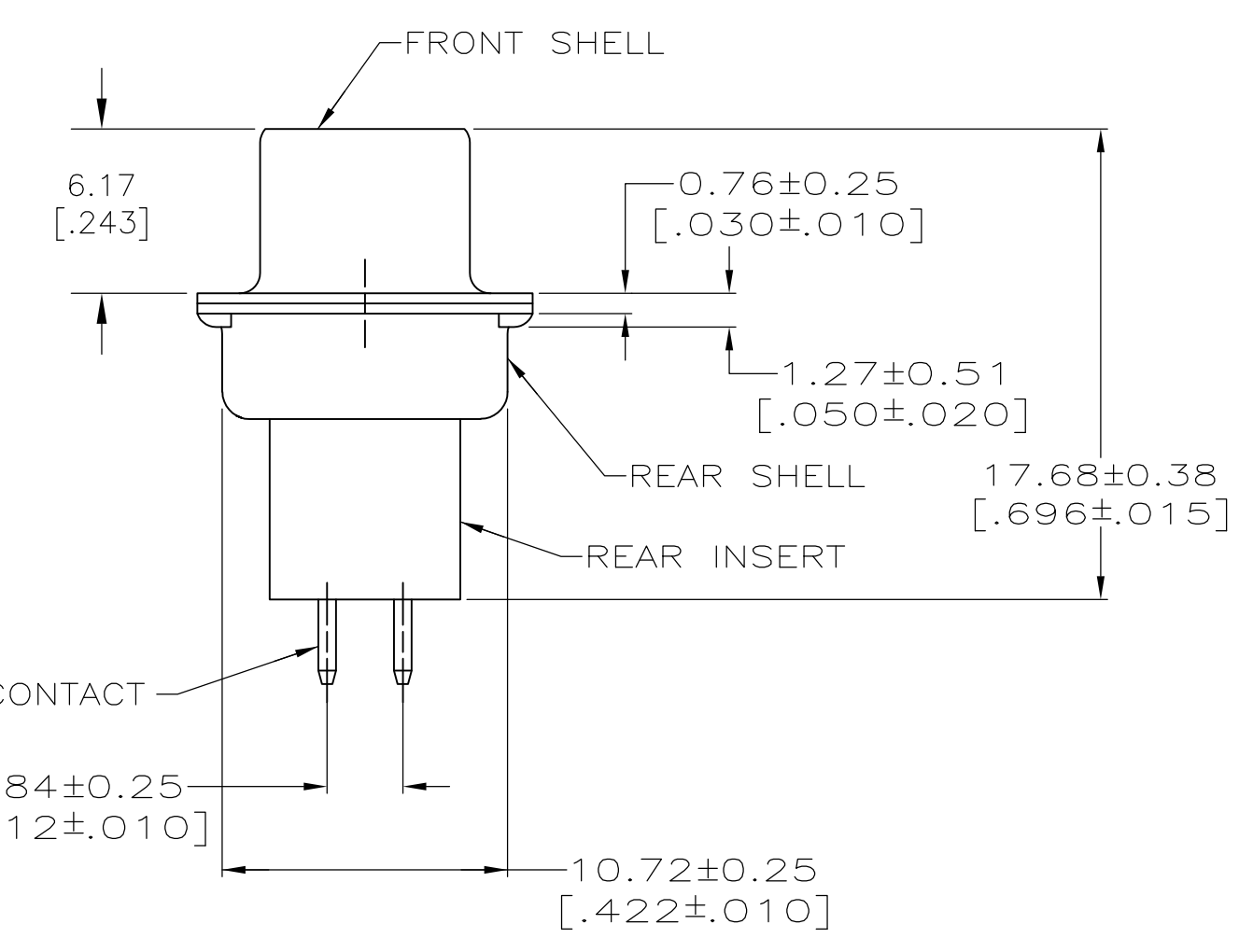
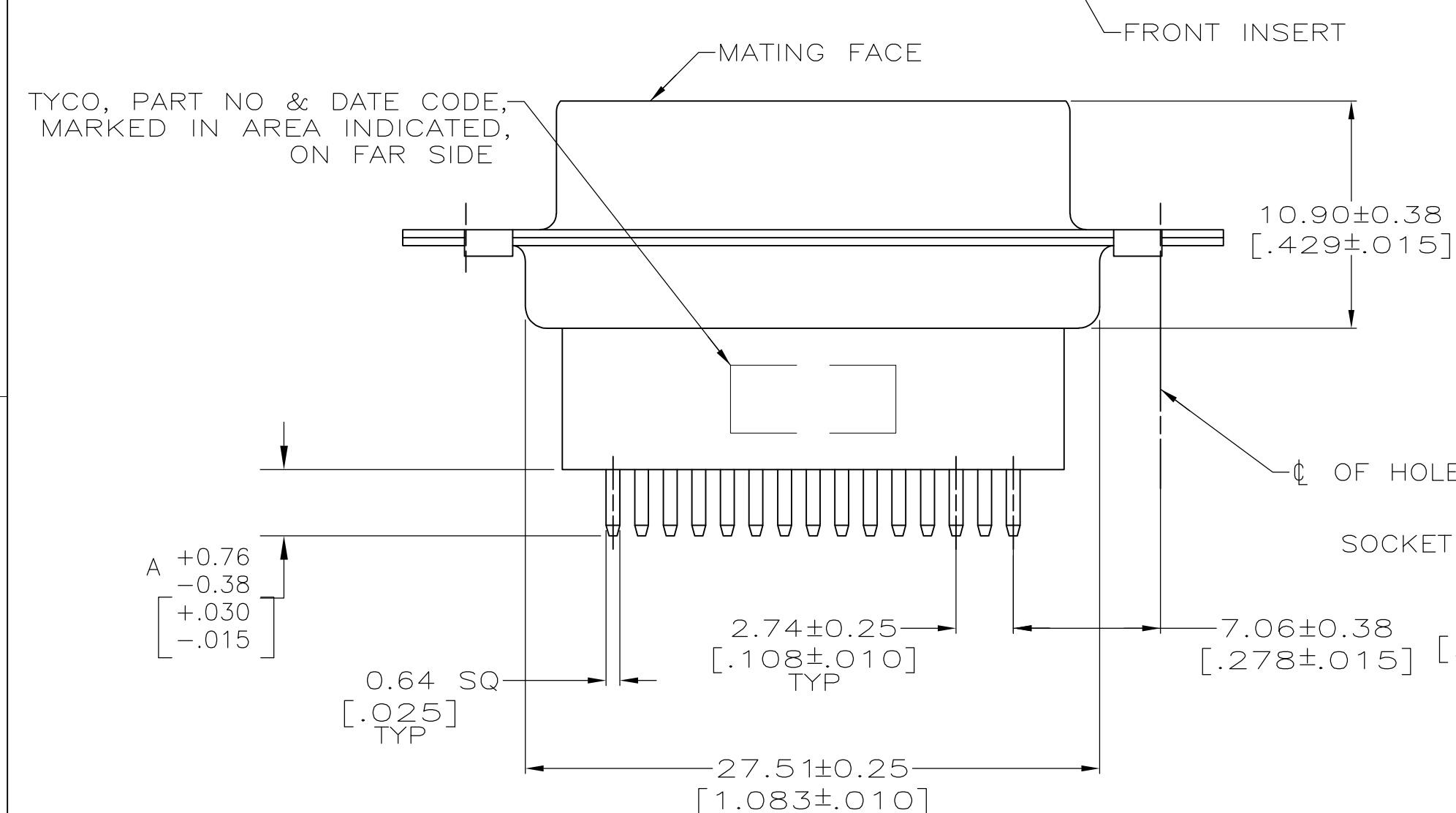


LOC	DIST	REVISIONS					
GP	00	P	LTR	DESCRIPTION	DATE	OWN	APVD
		D		REVISED PER ECO-14-011808	11AUG2014	AP	SB



- 1 MOLDED PARTS: GLASS-FILLED PBT OR GLASS-FILLED NYLON, UL94V-0 RATED. COLOR: BLACK.  
SHELLS: CARBON STEEL  
CONTACTS: PHOS BRONZE
- 2 SHELLS: 5.08µm [.000200] MIN TIN OVER 2.54µm [.000100] MIN COPPER.  
CONTACTS: 0.76µm [.000030] MIN GOLD ON MATING END, 2.54µm [.000100] MIN TIN ON SOLDER END, BOTH OVER 1.27µm [.000050] MIN NICKEL  
-OR-  
GOLD FLASH OVER PALLADIUM-NICKEL 0.76µm [.000030] MIN TOTAL ON MATING END, 2.54µm [.000100] MIN TIN ON SOLDER END, BOTH OVER 1.27µm [.000050] MIN NICKEL.



4.78 [.188]	5745185-7
3.18 [.125]	5745185-1
A	PART NUMBER

THIS DRAWING IS A CONTROLLED DOCUMENT.		DWN B. LATTUCA 07SEPT05	 TE Connectivity
DIMENSIONS: mm[INCHES]		CHK S. BOLASH 07SEPT05	
TOLERANCES UNLESS OTHERWISE SPECIFIED:		APVD M. WALMSLEY 07SEPT05	
0 PLC ± - 1 PLC ± - 2 PLC ± 0.13 [.005] 3 PLC ± - 4 PLC ± - ± 2° ANGLES ± - ± 2° FINISH		NAME RECEPTACLE ASSY, SIZE 2 15 POS, VERTICAL, AMPLIMITE HDP	
MATERIAL		PRODUCT SPEC 108-40025 APPLICATION SPEC 114-40013 WEIGHT -	SIZE A2 CAGE CODE 00779 DRAWING NO 5745185 RESTRICTED TO -
CUSTOMER DRAWING		SCALE NTS SHEET 1 OF 1 REV D	